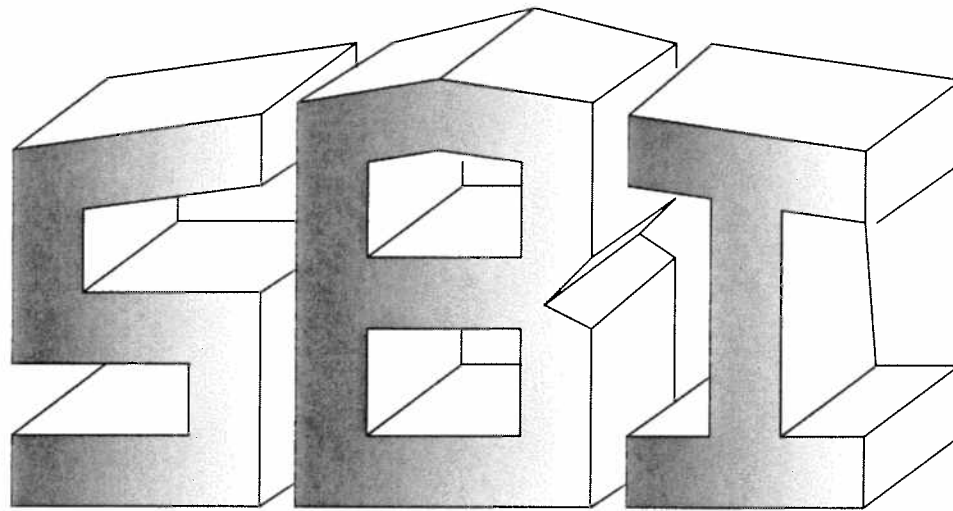


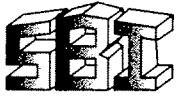
SNAP LOK
INSTALLATION
GUIDE



METAL BUILDINGS

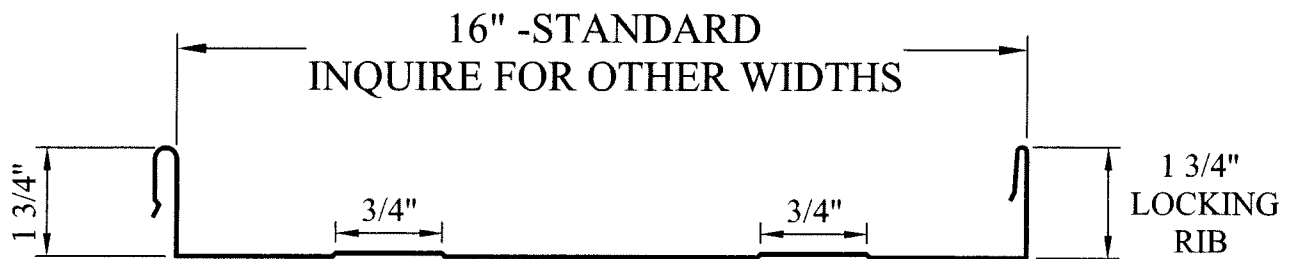
114 TROOPER DRIVE
HOT SPRINGS, ARKANSAS 71913
PH: (501) 262-0600, FAX: (501) 262-5107

VOLUME 1.0



SNAPLOK PANEL

GENERAL DESCRIPTION



Coverage Width - 16"

Standard Gauge - 24

Finishes - Smooth Striated (standard),

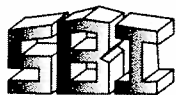
Colors - SP40 or Kynar

Minimum Slope - 3":12

Maximum Panel Length - 50'-0"

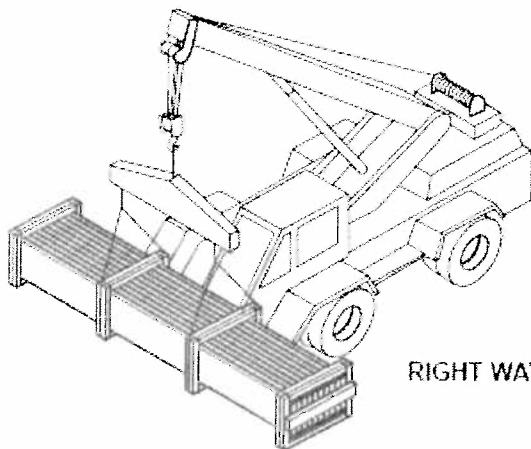
Panel Attachment - Utility (No insulation)

If blanket insulation is being used consult SBI

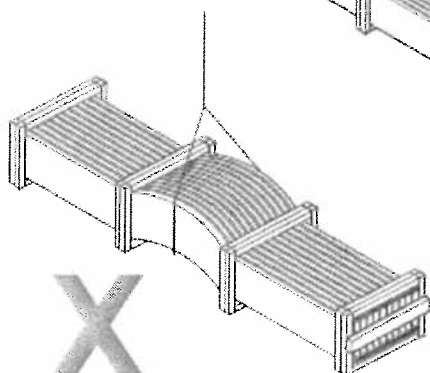


SEAMLOK PANEL

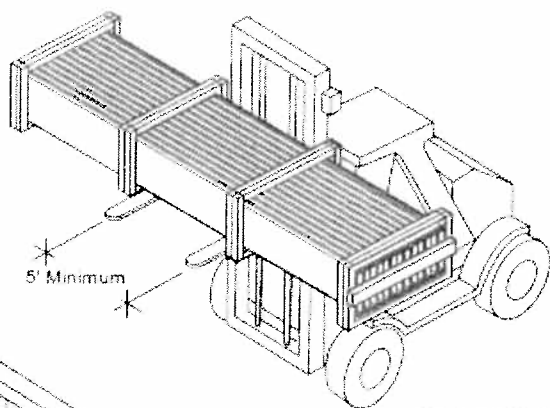
UNLOADING



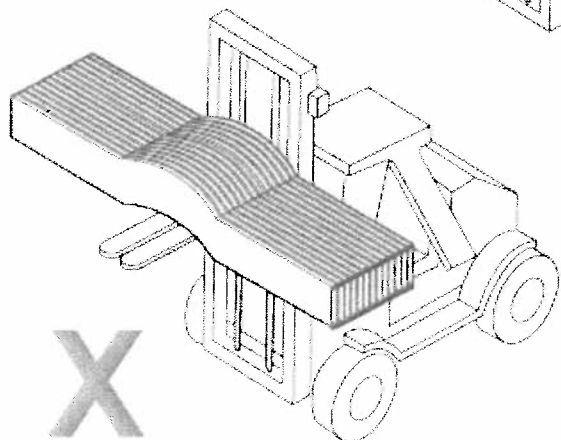
RIGHT WAY



WRONG WAY



RIGHT WAY



WRONG WAY

Upon receiving material, check shipment against shipping list for shortages and damages. The manufacturer will not be responsible for shortages or damages unless they are noted on the shipping list.

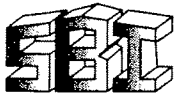
Each bundle should be lifted at its center of gravity. Where possible, bundles should remain banded until final placement on roof. If bundles must be opened, they should be retied before lifting.

When lifting bundles with a crane, a spreader bar and nylon straps should be used. **NEVER USE WIRE ROPE SLINGS, THEY WILL DAMAGE THE PANELS.**

When lifting bundles with a forklift, forks must be a minimum of five feet apart. Do not transport open bundles. Drive slowly when crossing rough terrain to prevent panel buckling.

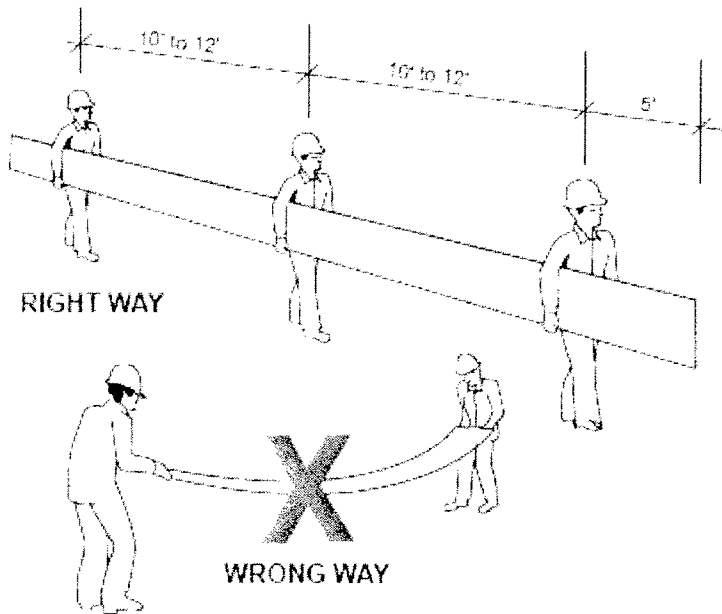
CAUTION

Improper unloading and handling of bundles and crates may cause bodily injury or material damage. The manufacturer is not responsible for bodily injuries or material damages during unloading and storage.



SEAMLOK PANEL

HANDLING \ STORAGE

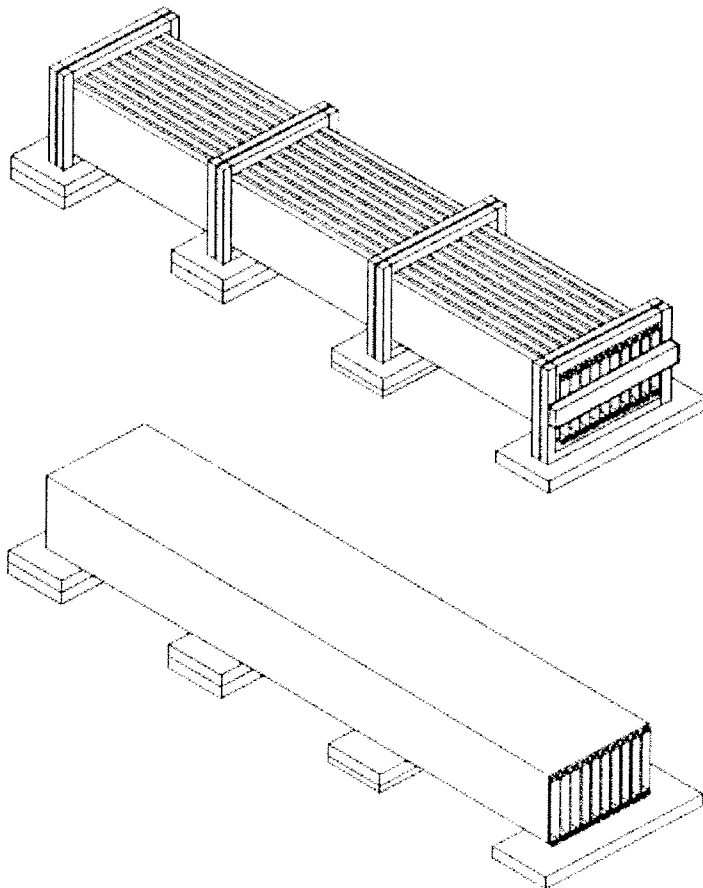


Standing on one side of the panel, lift it by the seam. If the panel is over 10' long, lift it with two or more people on one side of the panel to prevent buckling.

Do not pick panels up by the ends.

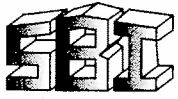
NOTE:

Protective gloves and safety glasses should always be used while handling panels. OSHA safety regulations must be followed at all times.



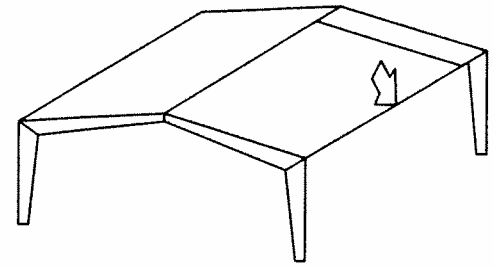
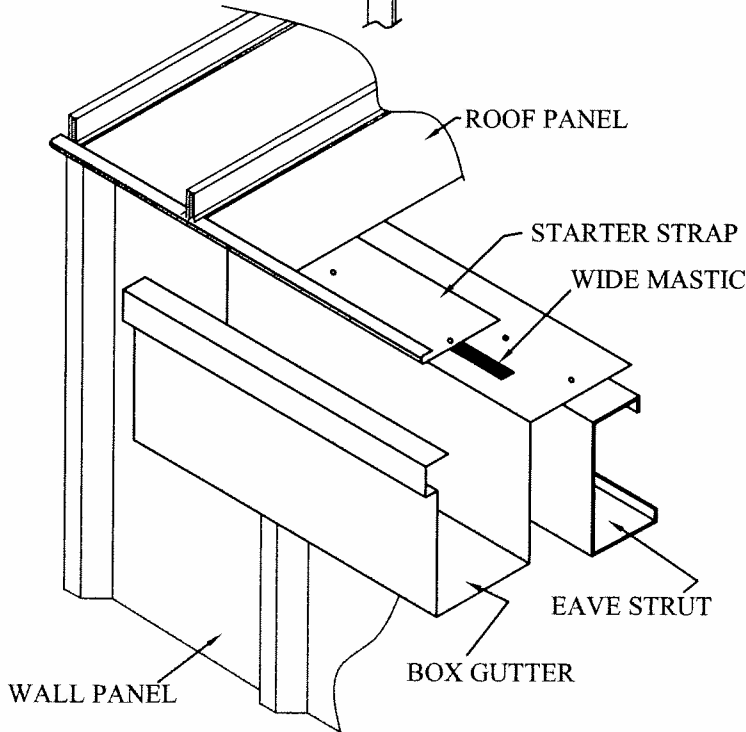
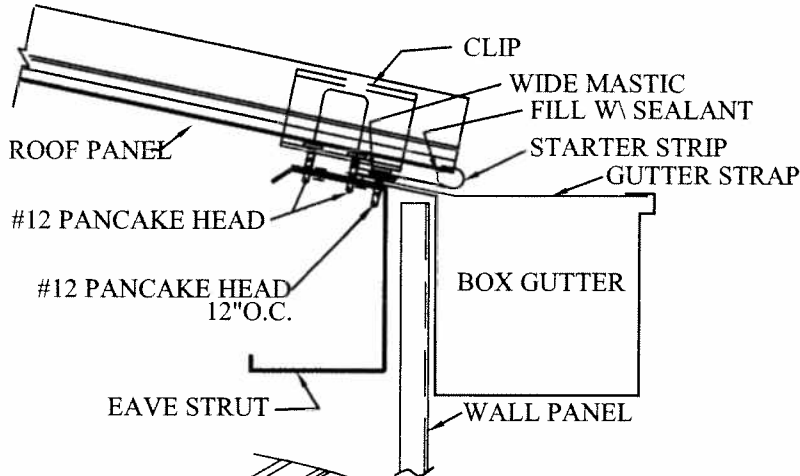
Store bundled sheets off the ground sufficiently high to allow air circulation beneath bundle and to prevent rising water from entering bundle. Slightly elevate one end of bundle. Prevent rain from entering bundle by covering with tarpaulin, making provision for air circulation between draped edges of tarpaulin and the ground. **PROLONGED STORAGE OF SHEETS IN A BUNDLE IS NOT RECOMMENDED.** If conditions do not permit immediate erection, extra care should be taken to protect sheets from white rust or water marks.

Check to see that moisture has not formed inside the bundles during shipment. If moisture is present, panels should be uncrated and wiped dry, then restacked and loosely covered so that air can circulate between the panels.



SNAPLOK PANEL

LOW EAVE W/BOX GUTTER



After completion of wall panel installation, temporarily fasten the box gutter in place with #12 Fastener..

In situations where the distance from the outside face of the eave member to the outside face of the wall sheeting will exceed 2" please contact manufacturer.

In situations such as an open canopy or overhang where there is no wall sheeting; the gutter will either be placed snug up against the eave member or special step-out flashing see building drawings for more information.

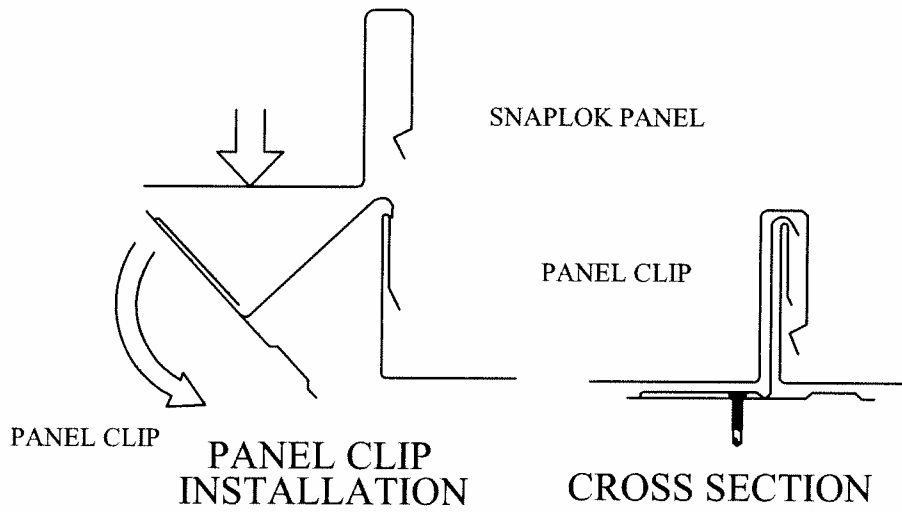
Place the starter strip, make sure the rounded edge of the strip is 1/2" past the wall panel's outside face. Attach the starter strip to the eave member with #12 Fasteners 12" OC. Use wide mastic between the starter strip and the pre-hung gutter flange. Be sure to butt each starter strip end to end leaving no gaps. Place a piece of mastic to seal each joint.

Before installing roof panel you must cut a small 1/2" long notch in the panel to allow the panel to freely slide down into the starter strip. Attach the panel and clips per the typical panel attachment details. Apply a small bead of sealant 1/2" uphill from the edge of the starter strip's open hem prior to engaging panel into the strip. Be sure to wipe off any excess.

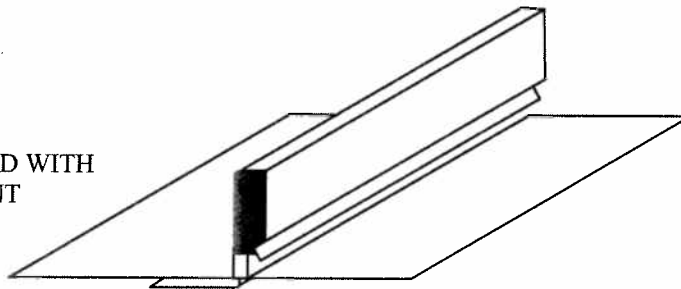


SNAPLOK PANEL

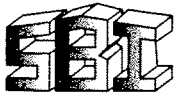
TYPICAL PANEL CLIP ATTACHMENT



FILL END WITH SEALANT

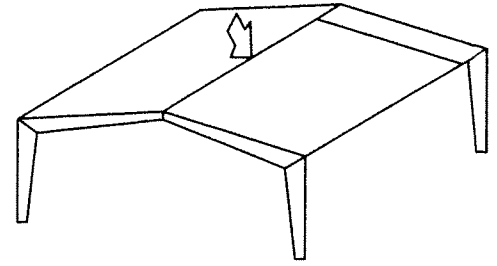


PANEL END DETAIL

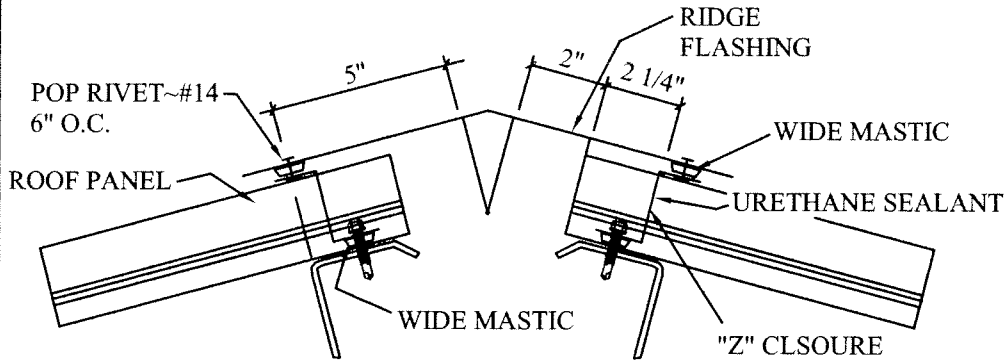


SNAPLOK PANEL

RIDGE ATTACHMENT



Position the end of the panel three inches past the web of the peak purlin, temporarily attach the panel to the peak purlin with a #12 Fastener.

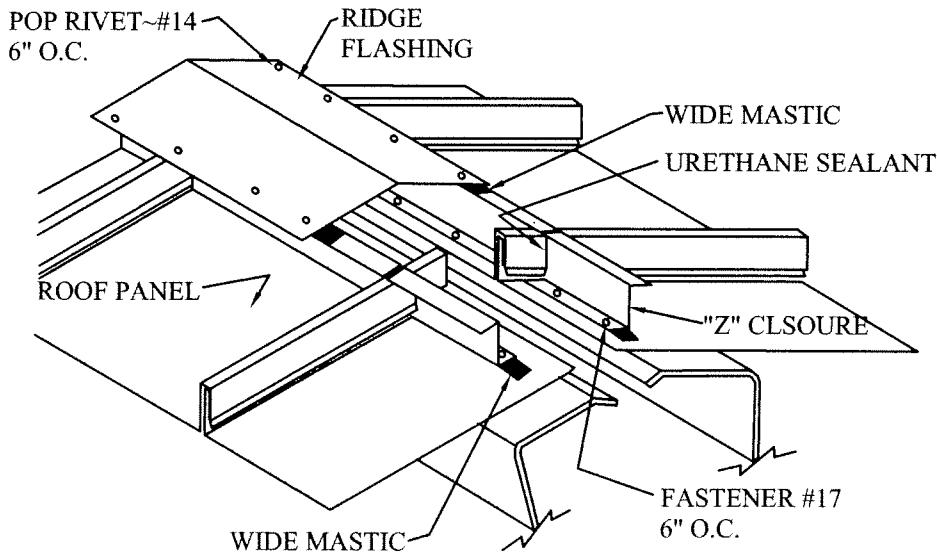


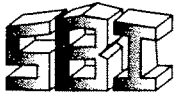
Field cut and form the T-5014 "Z" closure to fit down into panel to create a gap free closure. Use wide mastic and sealant between the "Z" and the panel to create a water tight seal.

Before securing in place make sure that the ridge flashing is wide enough to cover the top of the "Z" closure adequately. If any adjustments are needed now is the time.

Use four #17A fasteners to attach the "Z" closure and panel to the peak purlin. Use wide mastic between the "Z" closure and the ridge flashing, and pop rivet in place.

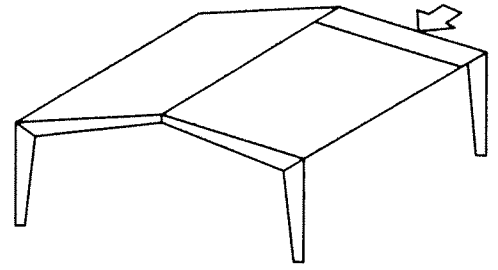
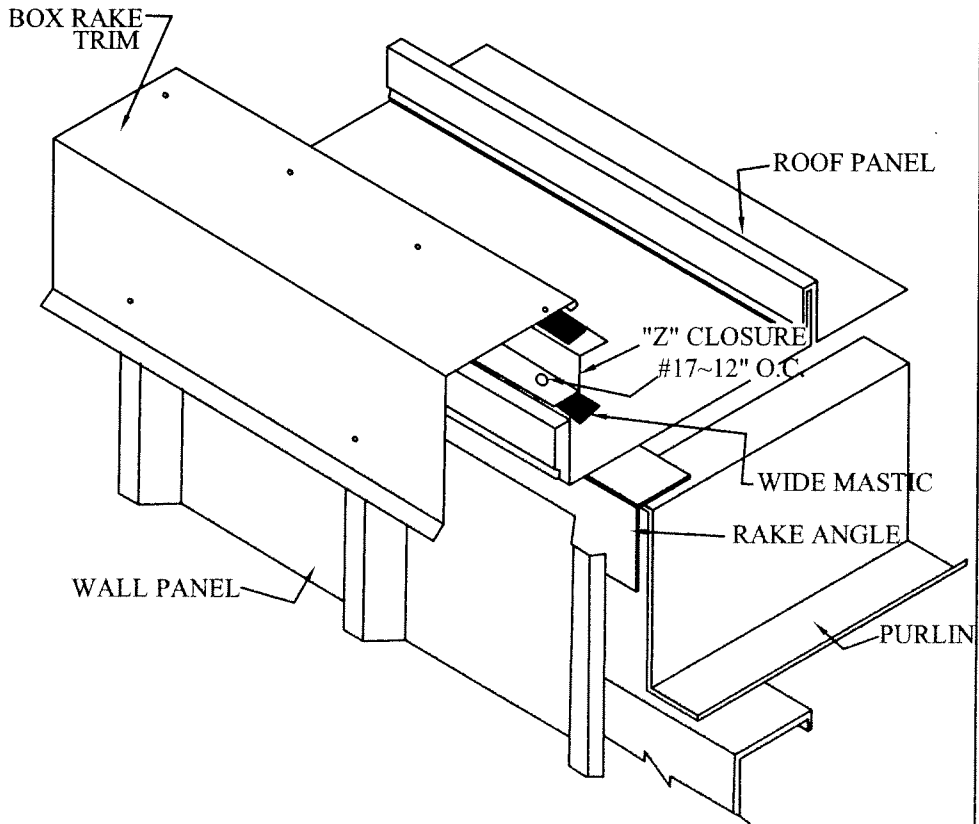
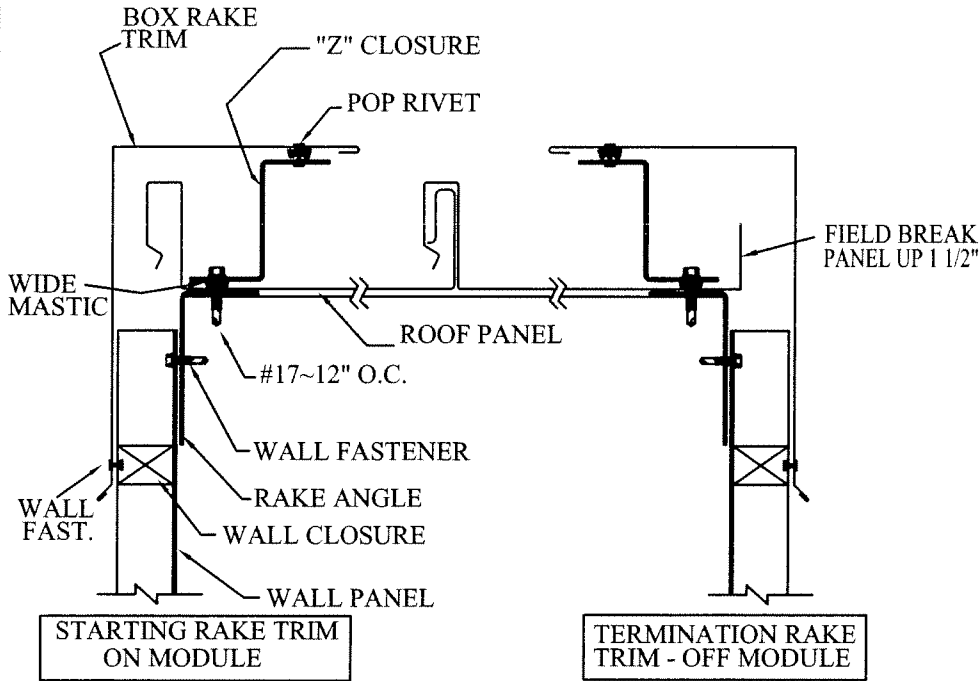
NOTE: "Z" closure is provided in 10'-0" long sticks, seven individual metal closures can be field cut from each stick.





SNAPLOK PANEL

RAKE ATTACHMENT



The first panel run should be positioned so that it overhangs the eave strut per instructions on page four, or the details shown on the erection drawings.

Run a chalk line down the rake angle from the eave to peak. If the rake angle edge is not straight, pop a chalk line on top of the angle.

Place the panel so that the female leg of the panel is flush with the rake angle or your marked straight line as shown in the detail to the left top of this page. Install the "Z" closure as shown, use wide mastic between the panel and the "Z" closure, attach using fastener #17A~12" O.C.

Continue with panels across remainder of roof surface as instructed. Be sure to check your width at top middle and bottom of every other panel run to make sure you are straight and on module.

At the opposite end you may end up with the panel overhanging your rake angle or your marked straight line. Mark a line 1 1/2" past the edge, trim the panel width, and field bend up panel edge 1 1/2"

Install the rake trim as shown in the detail to the left. Attach the rake trim leg to the "Z" closure w/Pop rivets #14~24" O.C. Mastic is needed between the closure leg and trim.